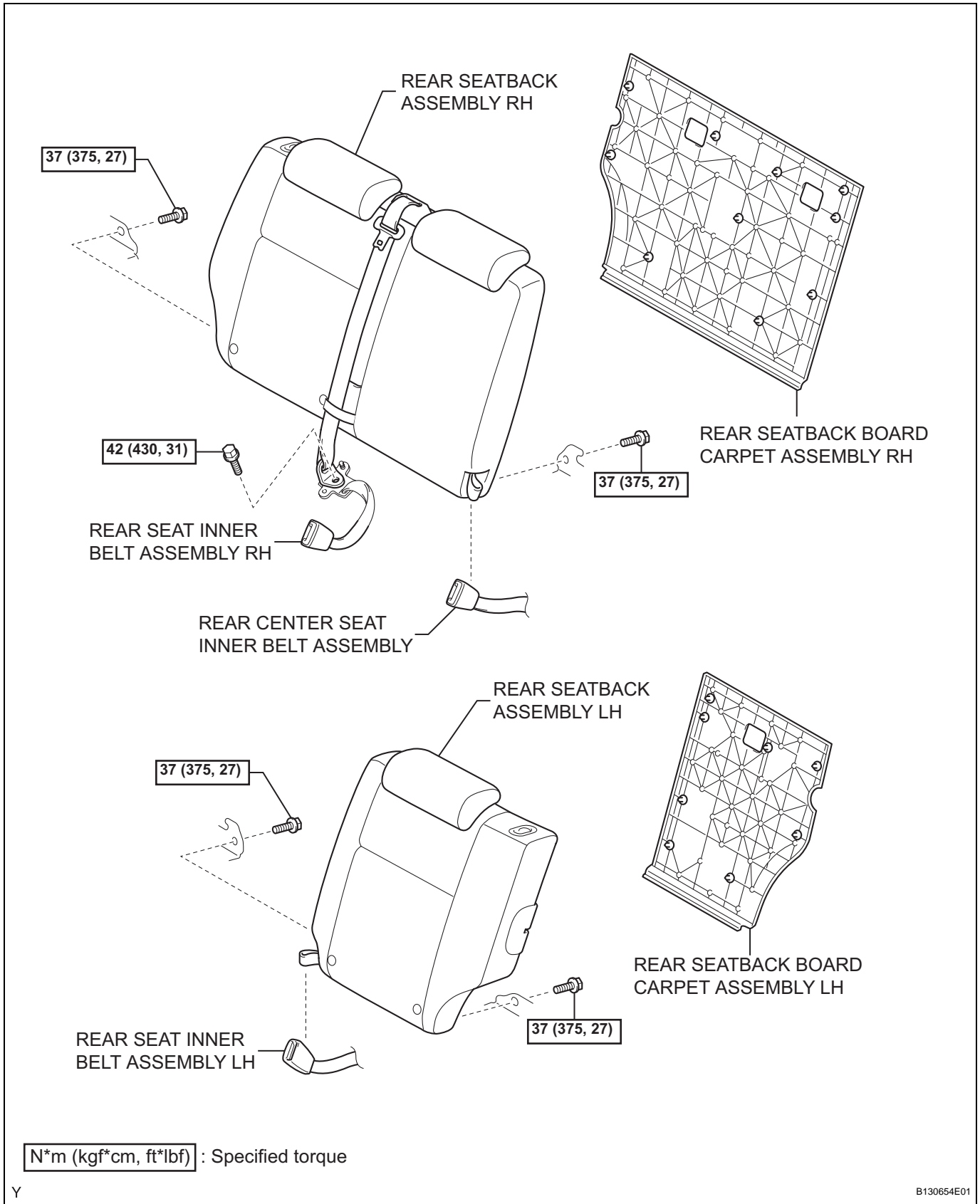
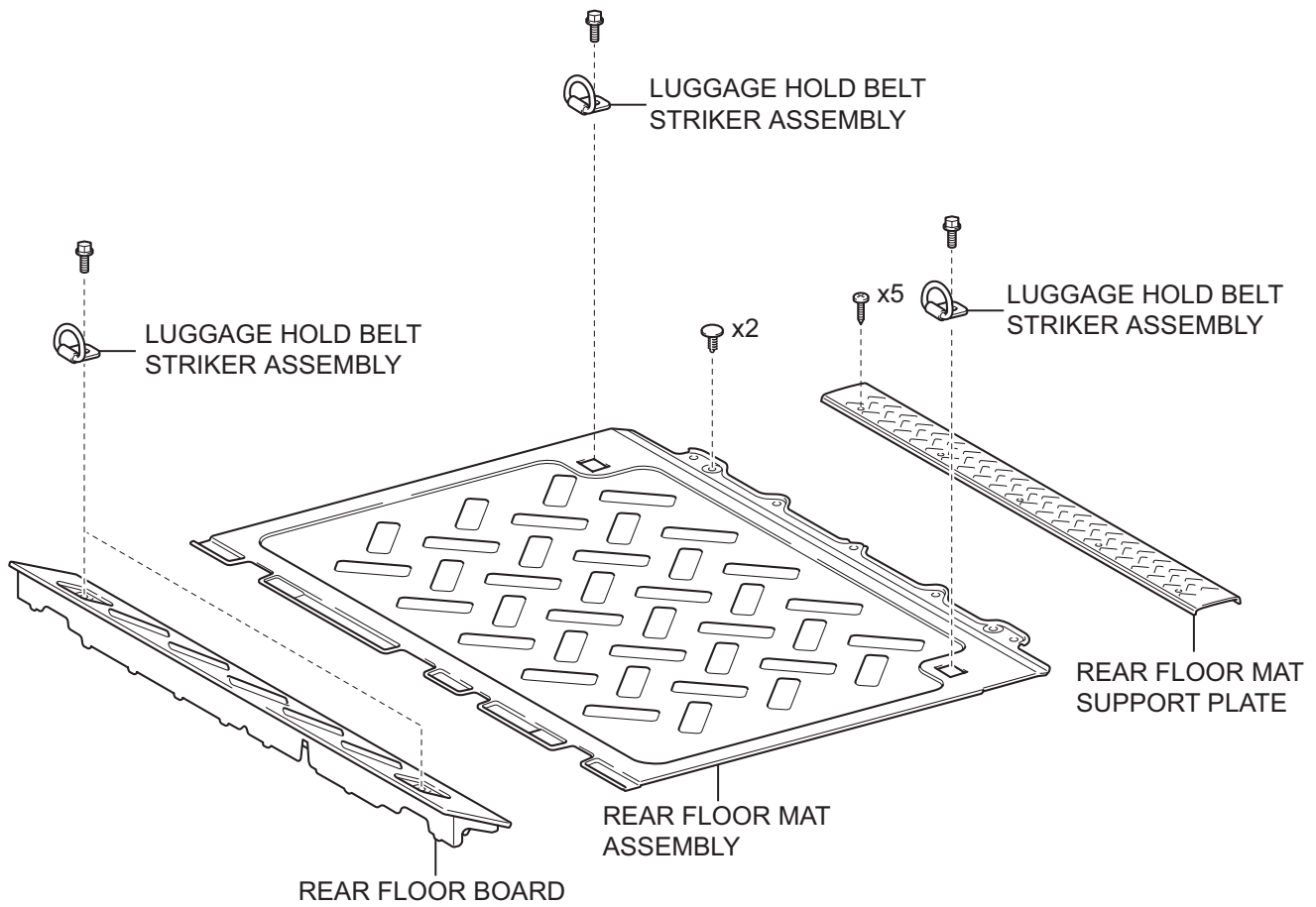


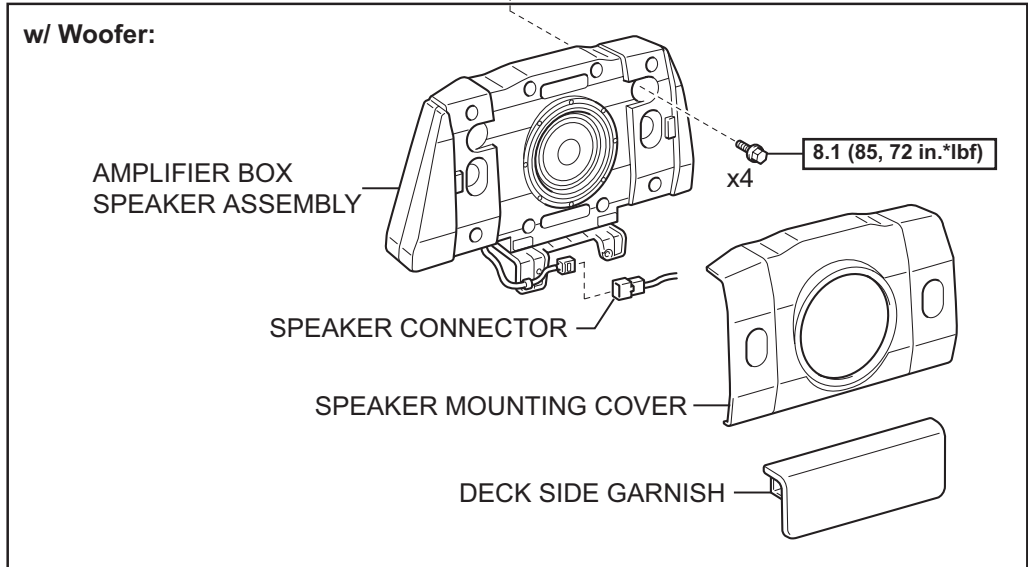
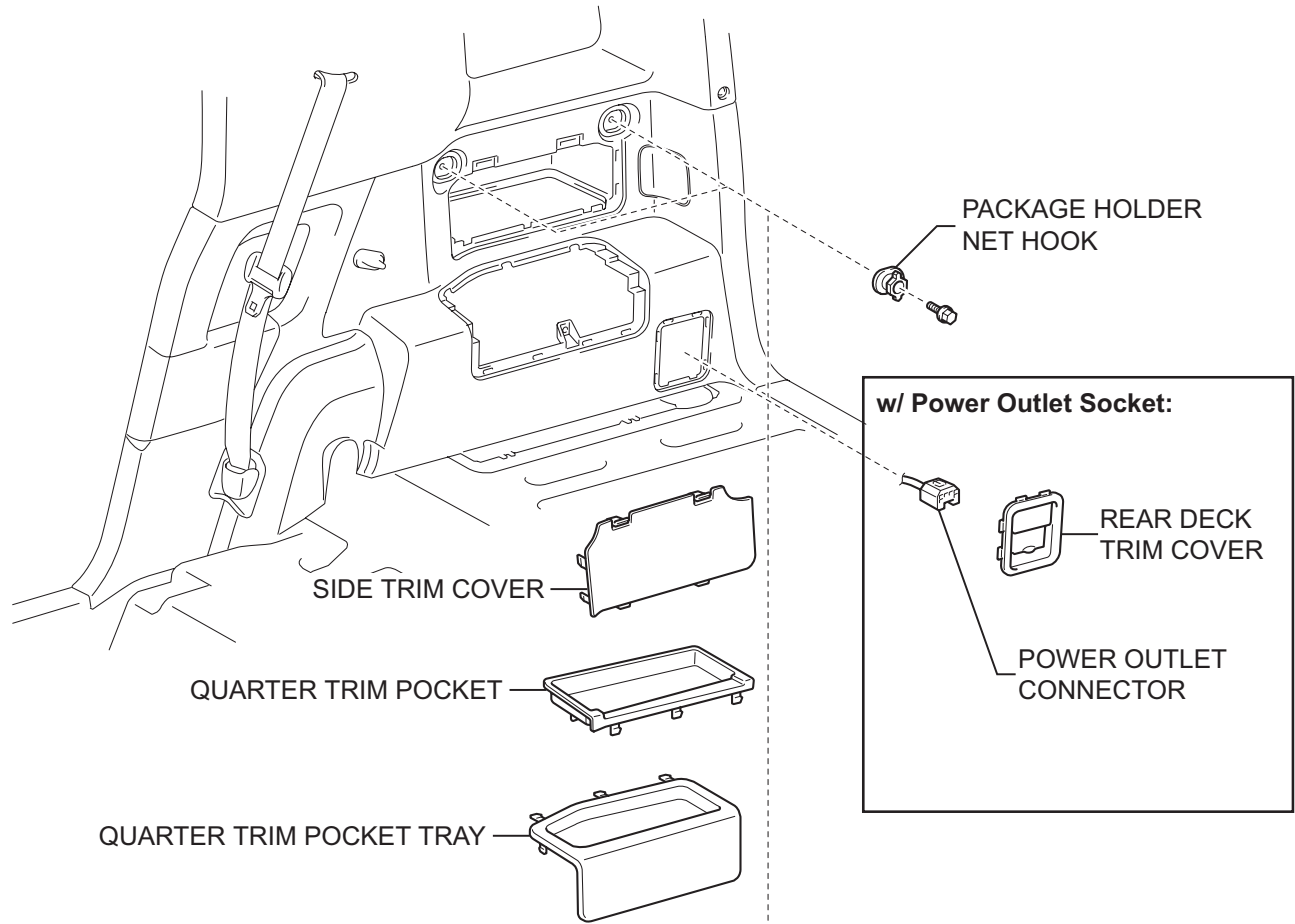
REAR COMBINATION LIGHT ASSEMBLY

COMPONENTS





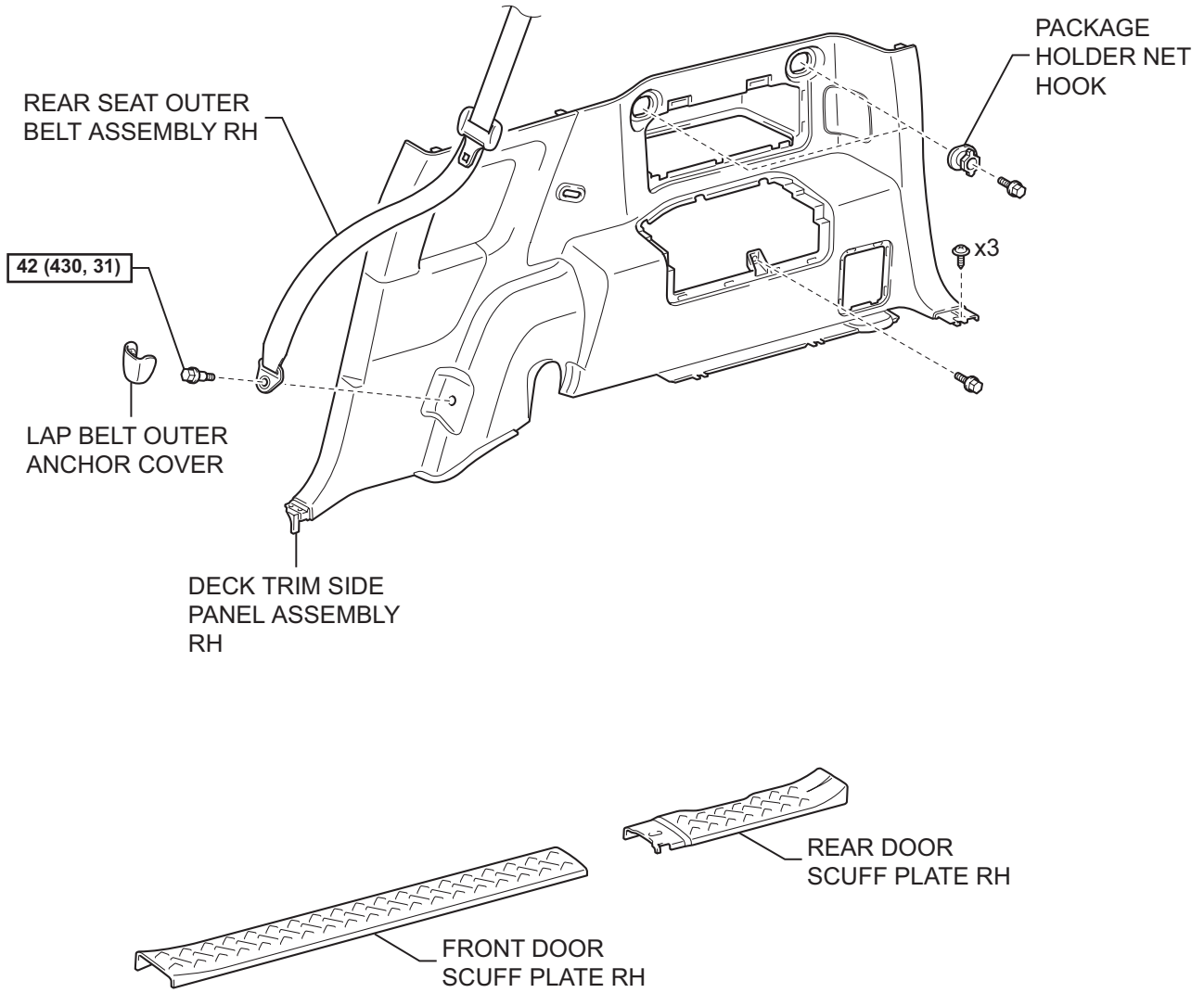
RH Side:



N*m (kgf*cm, ft*lbf) : Specified torque

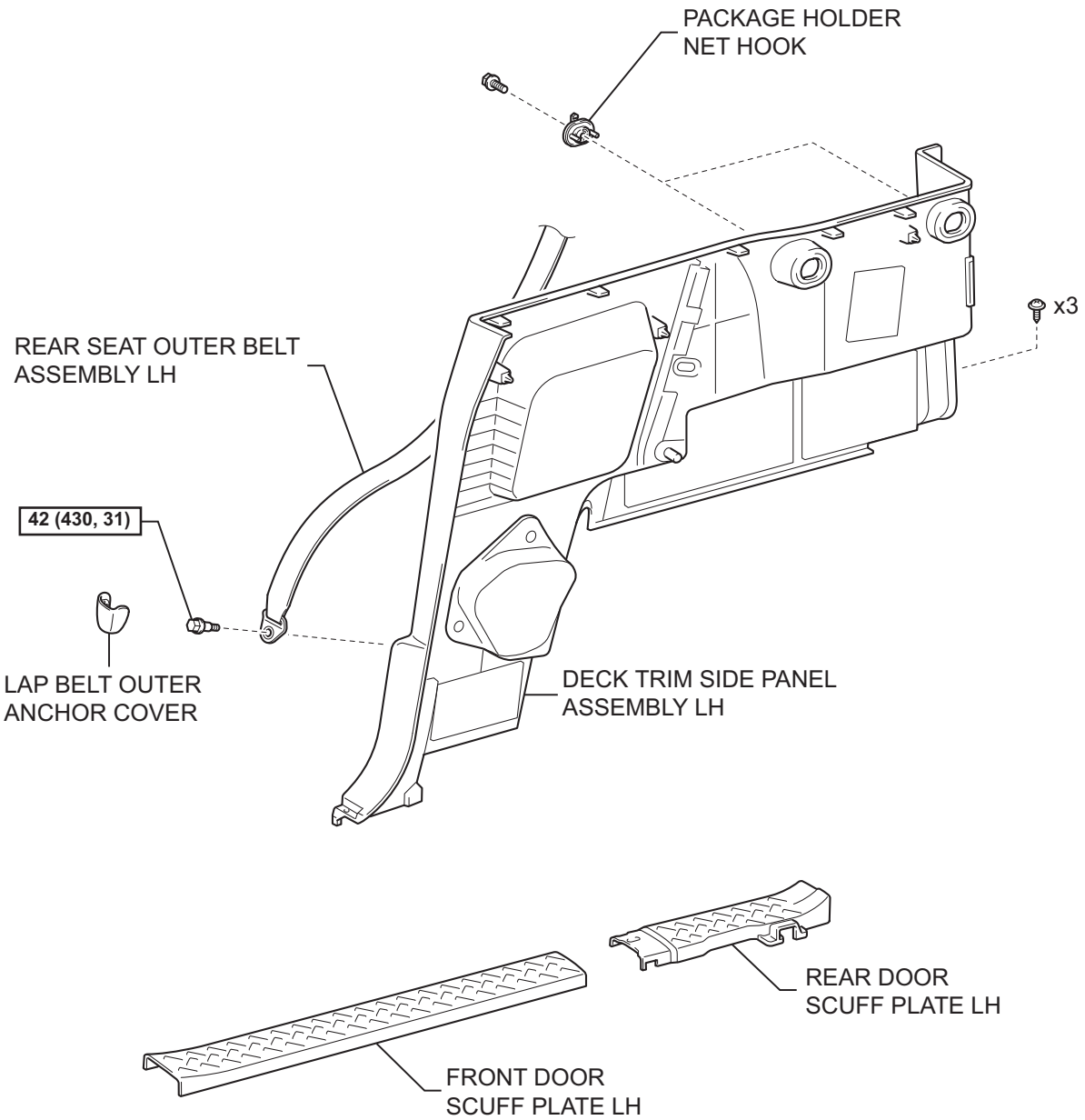
LI

RH Side:

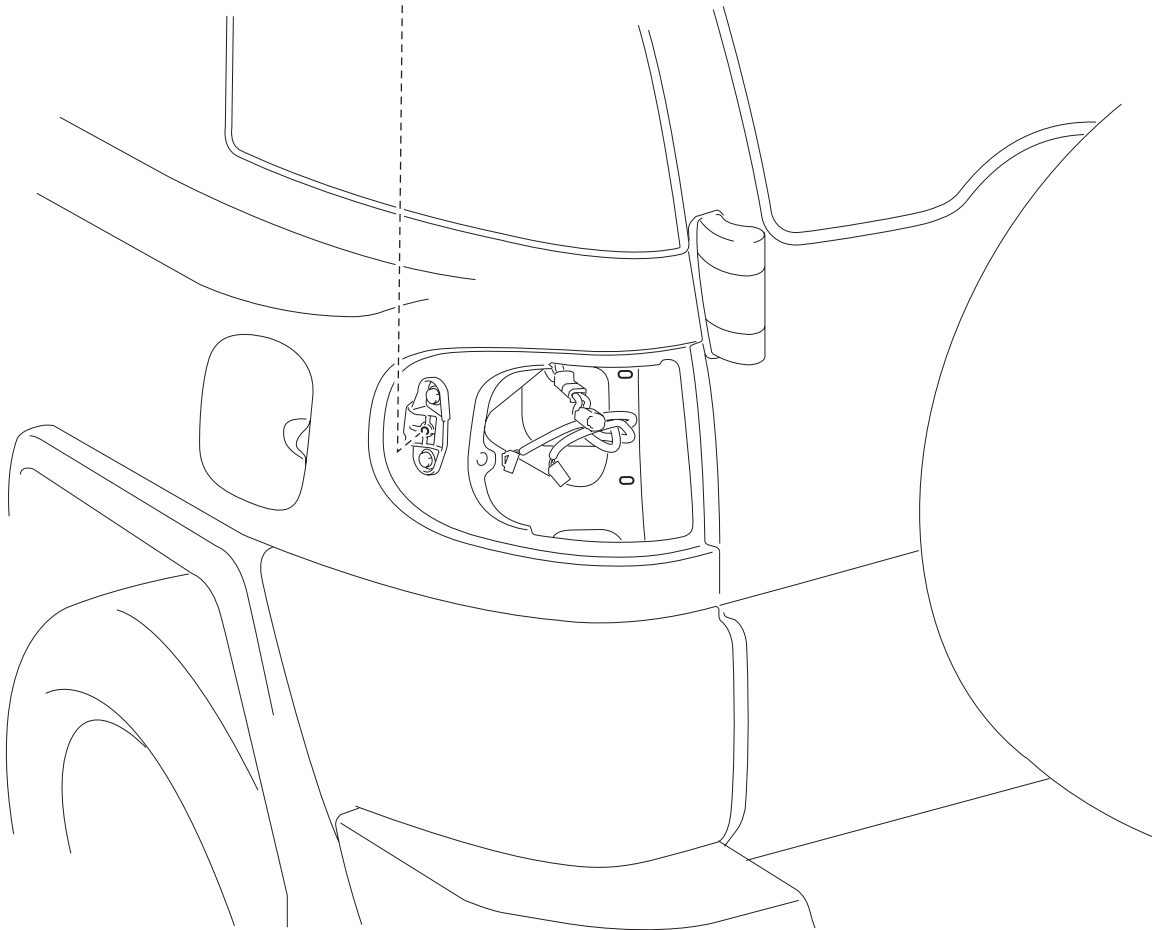
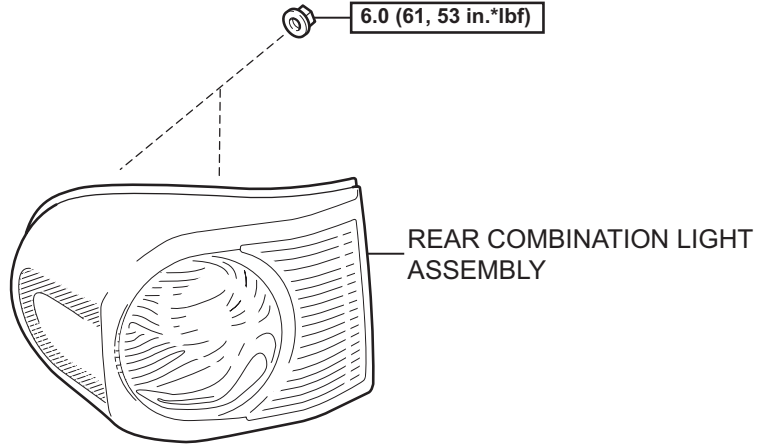


N^*m (kgf*cm, ft*lbf) : Specified torque

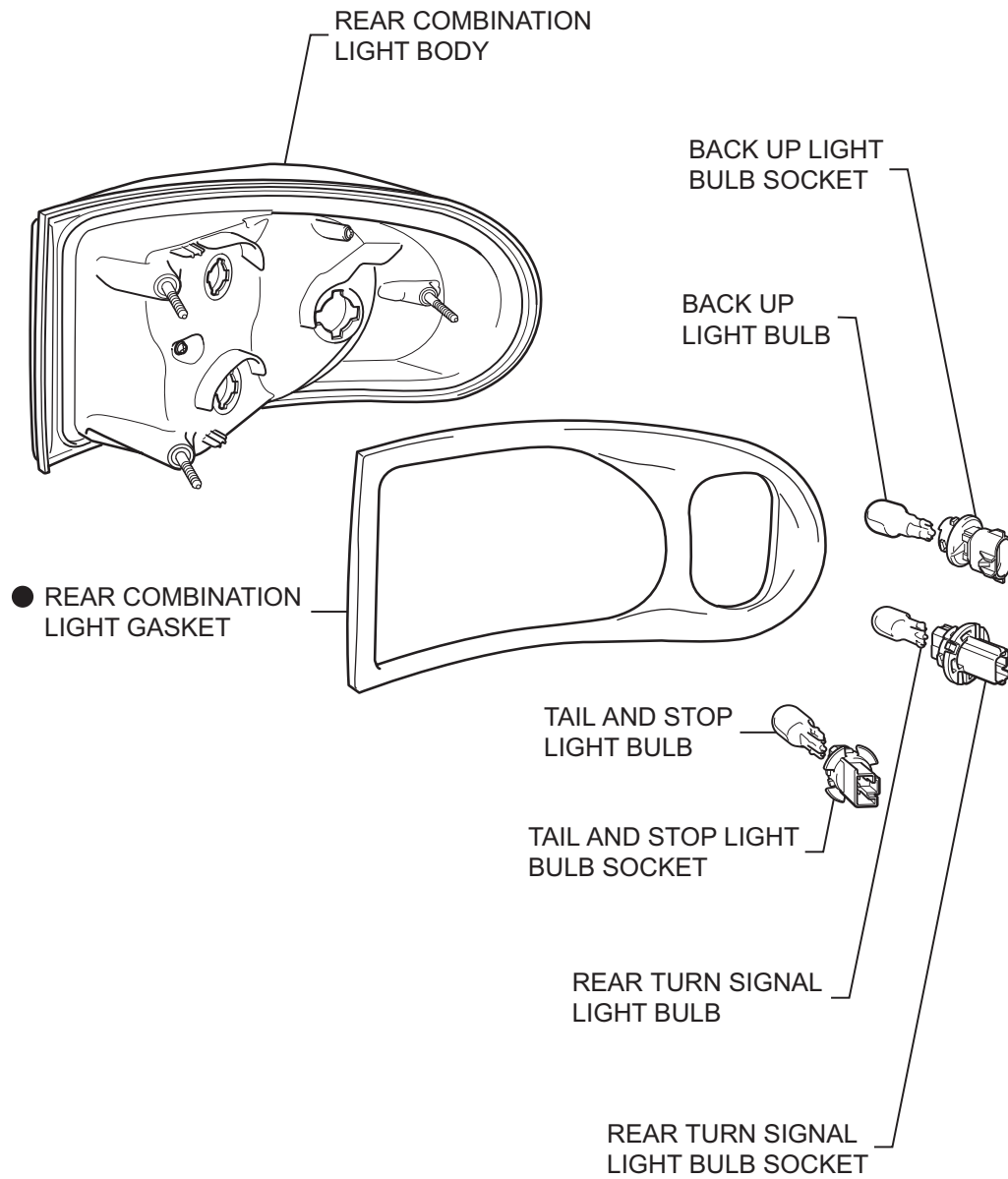
LH Side:



N*m (kgf*cm, ft*lb) : Specified torque



N*m (kgf*cm, ft*lbf) : Specified torque



LI

● Non-reusable part